

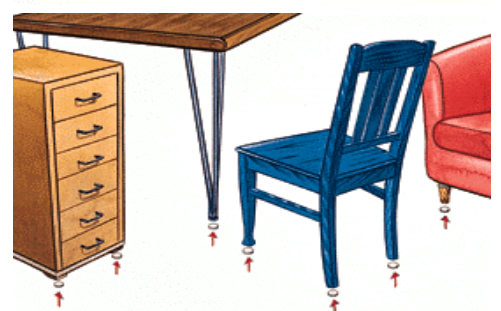
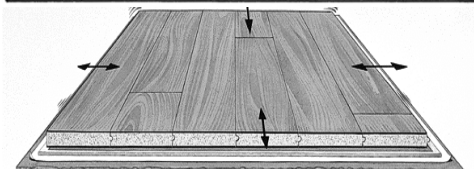
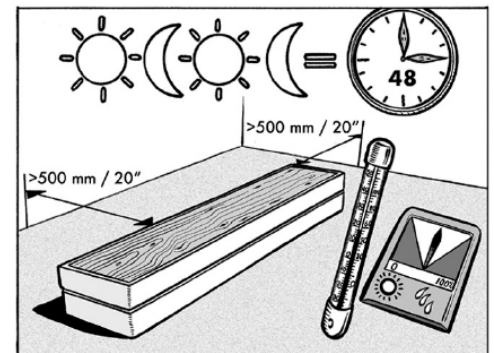
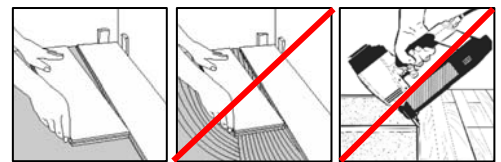
### Basic Information

For best result, and validity of the guarantee, these instructions should be followed carefully.

Based on the high content of natural wood based material used in Pergo floors there is a natural preference to expand and contract as a result of its hygroscopic properties. As a result of these properties the flooring should be floating, meaning that it is allowed to move in any direction having enough space to all walls or any fixed objects. The ideal indoor climatic conditions are 18-22°C and 50-60% RH. Outside these conditions the flooring will expand or contract. In the indoor climate between 30-85 % RH the flooring will expand and contract approx. 1mm/m installed floor from the basic condition of 50%. Outside these conditions both the expansion and contraction will increase significantly. This has to be taken in consideration when planning area size, area geometry, furnishing etc.

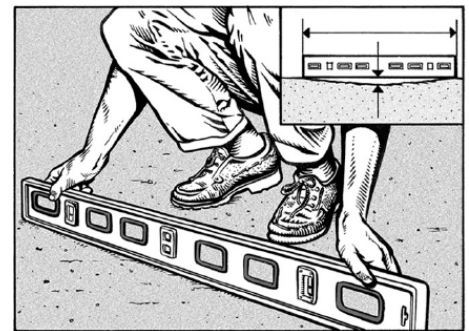
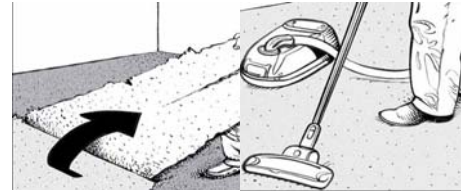
### General Information

- The floor should be a floating installation i.e. not screwed, glued or stapled down. Heavy furnished rooms might require the floor area to be split into smaller areas by using T-mouldings.
- Store your Pergo floor flat and in unopened packages at normal room temperature and relative humidity for at least 48 hours prior to installation.
- It is important to leave an expansion gap around the total perimeter of the floor and around columns, pipes, thresholds, etc.
- Do not install the floor in wet or damp rooms, such as bathrooms or rooms with a floor drain.
- Always use Pergo Accessories for perfect result
- Use felt pads on furniture legs to prevent scratching.
- Use a vacuum cleaner or non-abrasive soap-free mop cleaner on a regular basis to clean your floor.
- At entrances, use a door mat to protect the floor.



### Preparation before Installation

- The subfloor must be even, dry and clean.
- Pergo can be installed on top of wood, vinyl, linoleum, and ceramic tiles.
- For wooden floors, check that any loose floorboards is securely fixed.
- Remove textile floorings, underlay and glue residues' before installing.
- If you have under floor heating, see separate information.
- **Tolerances for evenness** are maximum 3 mm of 2 m length and additional 1,2 mm of 0,25 m length



- Always install a 0,2 mm polyethylene film with an overlap of 200 mm. on slab/screed/concrete floors - including those with vinyl or ceramic tiles installed – or floors with under floor heating system,
- Maximum moisture content in the slab/screed/concrete floors is (75% RH at min 18°C)

(CM version: Replace the (75% RH min 18° C) with: When Screed 2,0 CM%, and with floor-heating 1,8 CM% and when Anhydrite 0,5 CM%, and with floor-heating 0,3 CM%)

- An expansion gap of 1,0 mm/m floor length (minimum 5 mm) around the total perimeter of the floor and around columns, pipes, and thresholds etc.
- An expansion (T-moulding) profile must be used in door openings, angled rooms, corners in corridors and/or if the floorings are longer than 10 meters.
- Longer/wider floorings might be possible, contact Pergo.
- Check that the floor panel is without defects before installing.
- After 2-3 packages of installation you will see a representative visual design of the entire floor.
- Some of the products have bevelled edges on 2 or 4 sides. They will give a more distinct pattern

